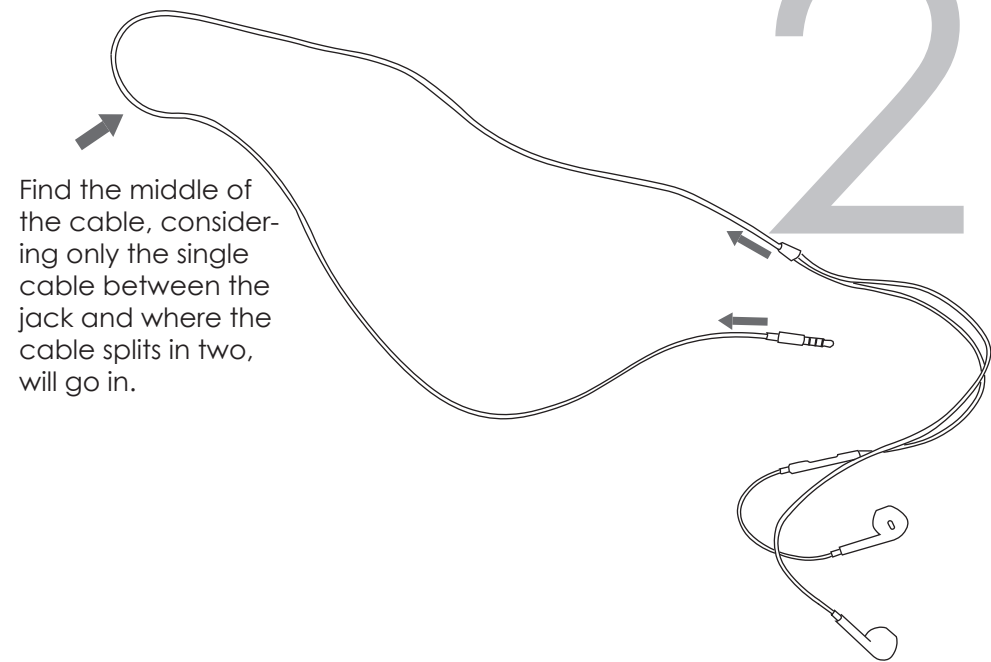
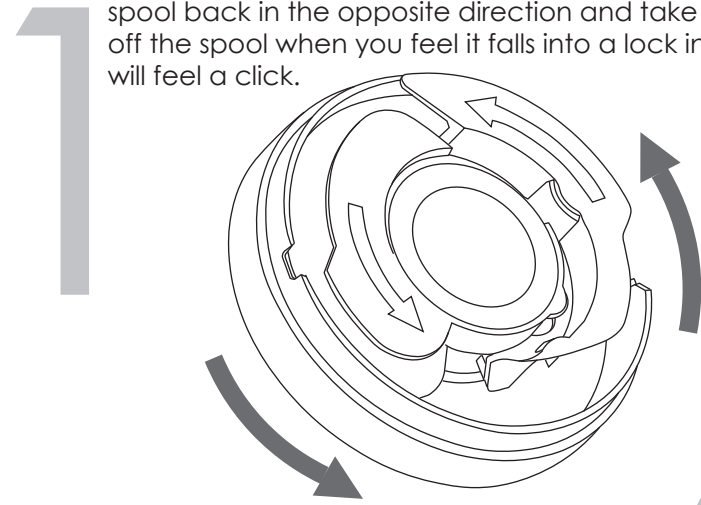


JIGGY hub

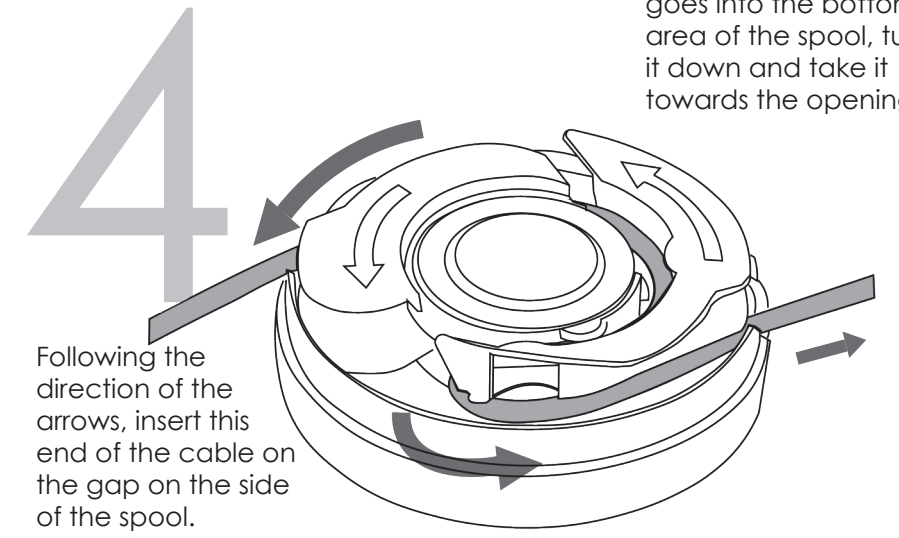
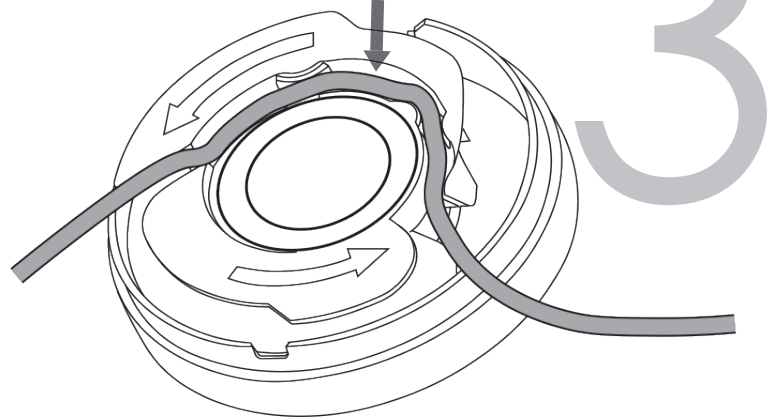
User Manual

Remove the lid. Using your thumbs turn the spool following the direction of the arrows. Once it reaches the limit, the spool will not be able to be turned anymore. Slightly turn the spool back in the opposite direction and take your thumbs off the spool when you feel it falls into a lock in position. You will feel a click.



Find the middle of the cable, considering only the single cable between the jack and where the cable splits in two, will go in.

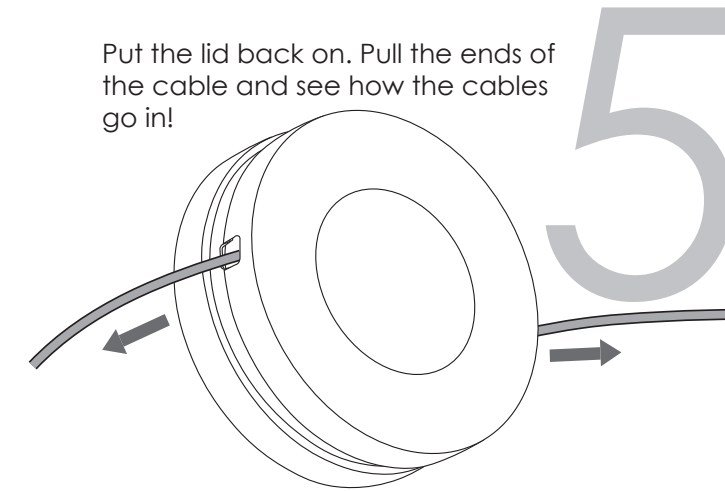
Insert the middle of the cable into the spool.



This end of the cable goes into the bottom area of the spool, turn it down and take it towards the opening.

Following the direction of the arrows, insert this end of the cable on the gap on the side of the spool.

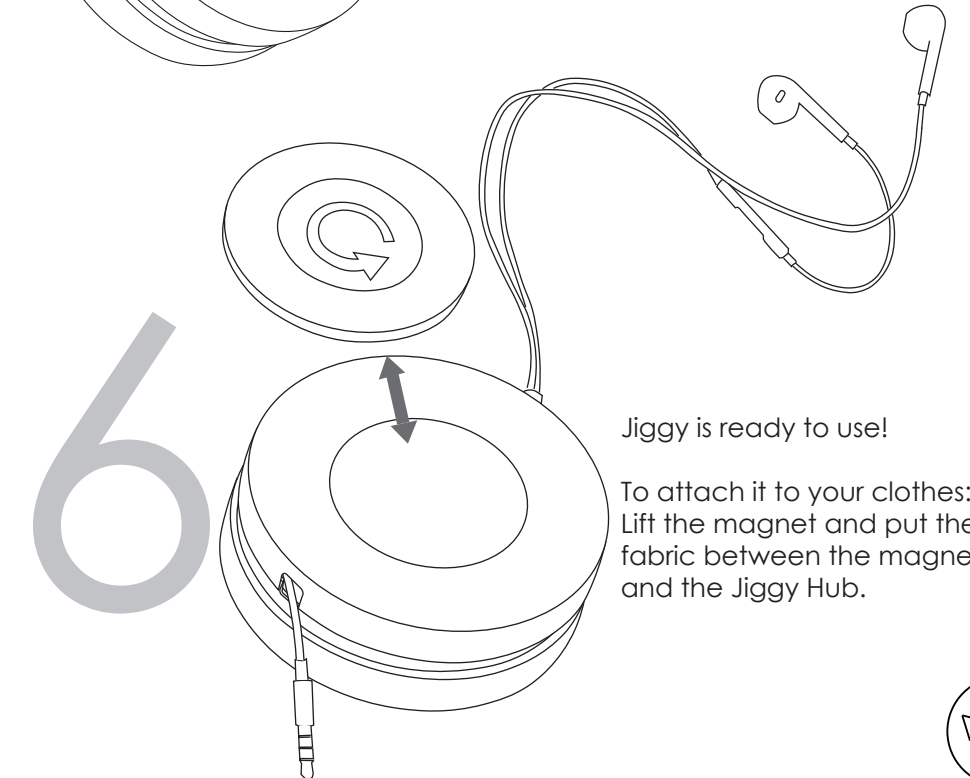
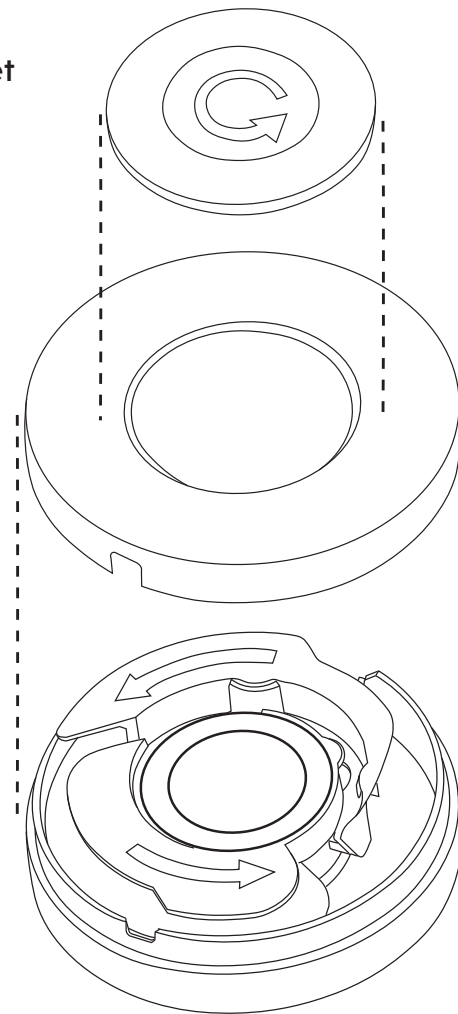
Put the lid back on. Pull the ends of the cable and see how the cables go in!



Magnet

Lid

Spool



Jiggy is ready to use!

To attach it to your clothes: Lift the magnet and put the fabric between the magnet and the Jiggy Hub.

